

KONTI W Baler

J-Series



Channel Baling Press with Horizontal Wire Tying for Waste Applications

Kadant PAAL's KONTI W channel baler is designed to guarantee performance in demanding applications. The tying system, which can be operated with either steel or plastic wire, has been specially designed to function effectively in wet and dirty environments.

Kadant PAAL was founded in 1854 in Osnabrück, Germany. Since its introduction of the first continuously operated horizontal baler in 1960, PAAL has delivered more than 30,000 machines and today is the #1 channel baler manufacturer in Europe.

KONTI W J-Series Baler Overview



Features

- Adjustable upper sliding guides instead of rollers
- Ram cover and channel walls bolted for ease of replacement
- Exchangeable HARDOX® wear plates for press chamber walls
- Hydraulic sidewall slot covers and carefully sited splash guards
- Special tying unit motors
- Hard-wearing bearings integrated in replaceable mounting sleeves



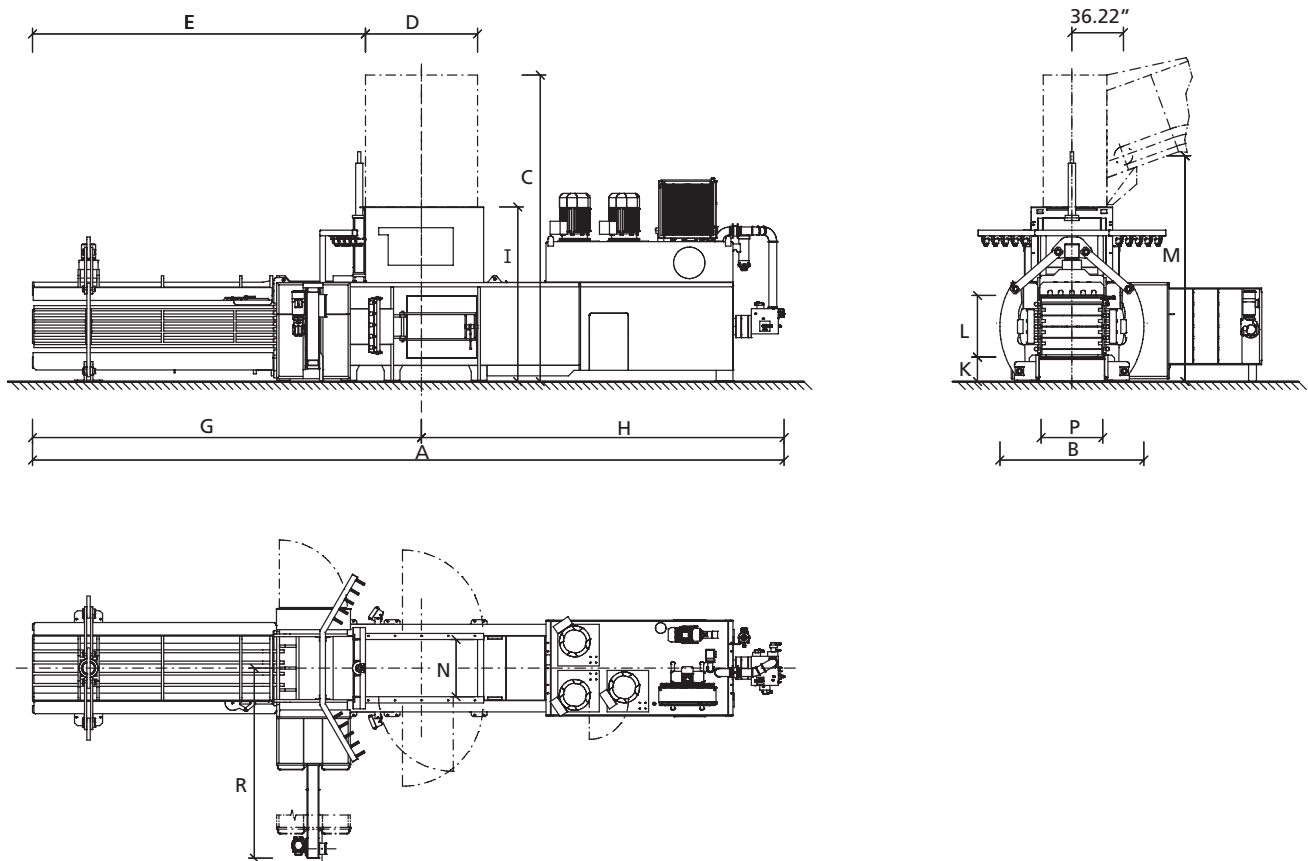
Benefits

- Protection against water ingress
- Tying unit protected from contamination
- Increased durability
- Low cost of ownership

PAAL®

Technical Data and Measurements

KONTI W Baler J-Series		500				600				700			
Pressing force	t (kN)	122 (1.197)				158 (1.546)				198 (1.940)			
Spec. pressing force	N/cm ²	99				128				160			
Tunnel cross section	cm	110 x 110				110 x 110				110 x 110			
Hopper opening	cm	200 x 102				200 x 102				200 x 102			
Feeding volume	ca. m ³	3.45				3.45				3.45			
Number of wires	pieces	5				5				5			
Driving power	kW	45	55	2 x 45	2 x 75	2 x 37	2 x 45	2 x 55	3 x 75	2 x 45	2 x 55	3 x 55	4 x 75
Press output (ideal)	max. m ³ /h	430	650	780	1135	630	630	930	1265	520	775	1070	1320
Press output (under load – 150 kg/m ³)	max. m ³ /h	200	260	345	480	270	300	385	580	250	330	460	640
Press Capacity (Weight)													
• 150 kg/m ³	ca. t/h	30	39	52	72	40	45	58	87	38	50	69	96
• 200 kg/m ³	ca. t/h	35	46	60	84	48	53	67	102	44	58	81	112
• 300 kg/m ³	ca. t/h	43	52	75	105	55	63	77	124	55	67	93	136



	A	B	C	D	E	G	H	I	K	L	M	N	P	R
KONTI W 500 J	12831	2800	5465	2000	5437	6437	6394	3115	435	1100	3950	1020	1100	3390
KONTI W 600 J	13339	2800	5465	2000	5937	6937	6402	3115	435	1100	3950	1020	1100	3390
KONTI W 700 J	14055	2800	5465	2000	6637	7637	6418	3115	435	1100	3950	1020	1100	3390

Dimensions are in millimeters.

Specifications are for reference only and subject to change.